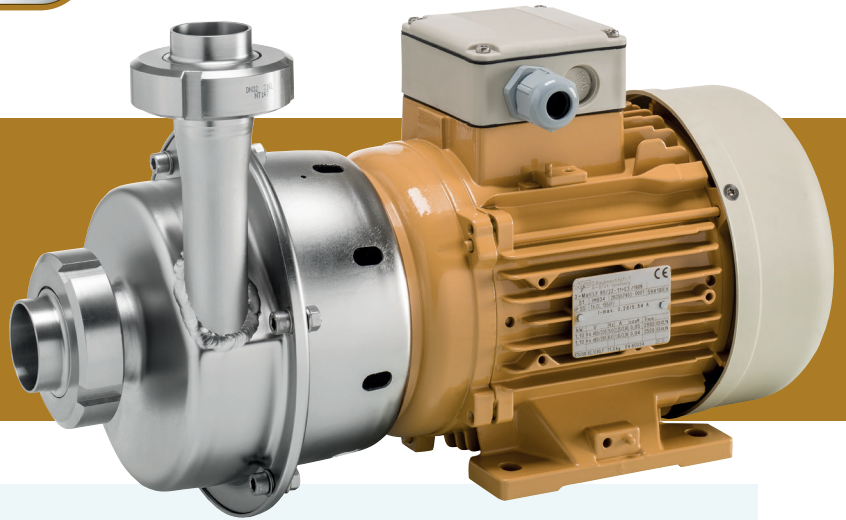


## HORIZONTAL PUMPS

### Mechanical seal

### Series SHX



**6000 - 50000 l/h**

100 - 334 l/min

SHX250-SS

Mechanical seal pump, robustly built from high wall thickness parts and equipped with a durable single seal.

The SHX series combines optimized hydraulic efficiency with a robust, compact and reliable construction. This results in maximum installation uptime and a long service life, providing best in class performance, technically and economically. The SHX series is designed and manufactured for transfer and circulation of chemicals. Easy to build-in and -out, specially for OEM configurations.

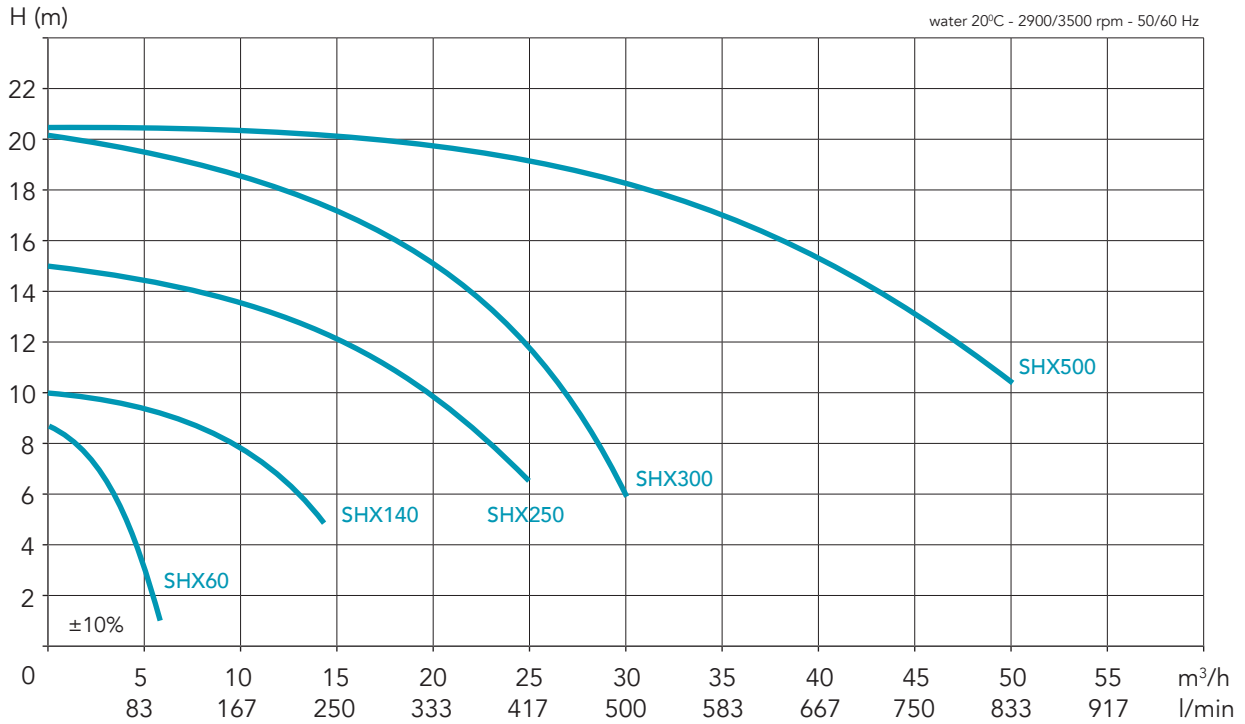
#### Features

- SHX60: material SS316Ti, seal SiC/SiC
- SHX140..500: material SS316L, seal SiC/Carbon
- Electropolished surface for improved corrosion resistance
- Including complete metric unions
- EPDM elastomers
- Max. temperature 130°C
- Stainless steel fasteners and type shields
- Single stage operation
- High quality European, purpose designed electric motor:
  - 3 phase, 50/60 Hz, 2900/3500 rpm, IP55, multi voltage
  - with double layer 2C chemical resistant coating
  - including fan cover and wiring box
  - suitable for frequency drive control

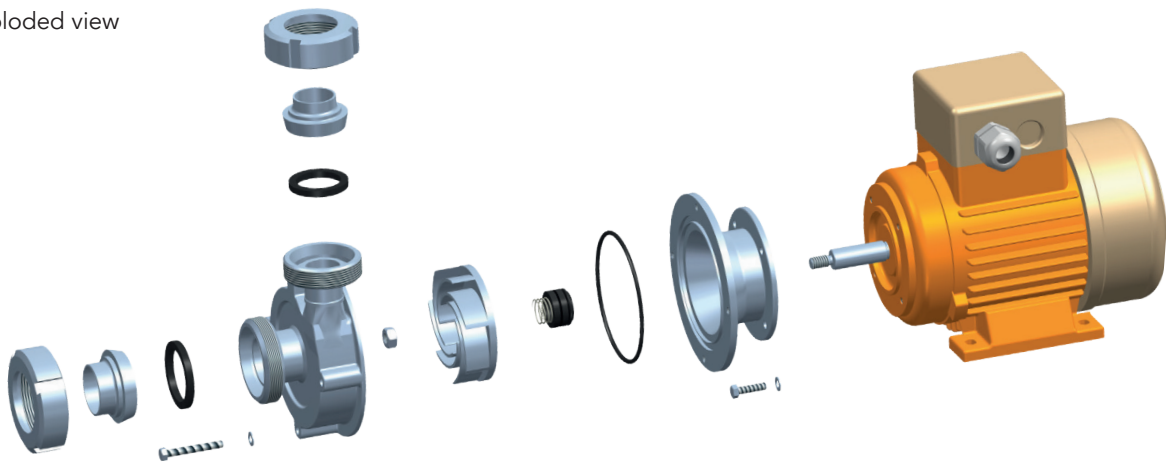
#### Options

- Hose connections
- Union sockets in imperial sizes
- Specific elastomers
- Dry run protection
- Priming chamber
- Motor shim plate (PP)
- Electric motor options:
  - motor mounted frequency drive
  - EMC compatibility
  - PTC thermistor
  - thermal overload incl. switch and lead
  - single phase
  - specific voltages
  - electrical lead (4 m)
  - other RAL colours

Type	Material	Q max (l/h)	H max (m)	Motor kW	HP	I nom. (A) 400V-50Hz	In	Out	Net weigh (kg)
							DIN11851		
SHX60		6200	8,5	0,25	1/3	0,7	DN32	DN25	8
SHX140		14000	9	0,55	3/4	1,5	DN40	DN32	11
SHX250	SS	25000	15	1,1	1½	2,25	DN40	DN32	16
SHX300		30000	20	2,2	3	4,55	DN40	DN32	24
SHX500		50000	20	4,0	5½	7,40	DN65	DN50	39



Exploded view



Dimensions

Type	"D"	"G"	"H"	"M"	In	Out
SHX60	281	172	-3	125	DN32	DN25
SHX140	349	182	19	132	DN40	DN32
SHX250	367	204	10	156	DN40	DN32
SHX300	425	243	0	176	DN40	DN32
SHX500	510	279	0,5	225	DN65	DN50

